

Heavy-duty full extension ITS 058



for home office and kitchen furniture.

SCHOCK
M E T A L L

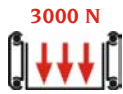
Heavy-duty multi-pack slides: The economical alternative for maximum use of storage space.



The Schock heavy-duty slide allows to access the total storage space of the cabinet. The ball bearing slides provide a smooth movement and a comfortable use.

- **Full extension slide Series ITS 058**
whole content accessible with one pull-out
smooth and silent movement
no jerking when pushing-in
- **50 mm self-closing device**
automatic closing of the cabinet
optional with damping feature
- **Additional slide on top (optional)**
for increased lateral stability
recommended for cabinet heights > 1500 mm
- **Dynamic load capacity up to 250 kg**
for high cabinets with > 600 mm interior depth
innovative solution for kitchen and home furniture

Heavy-duty full extension ITS 058

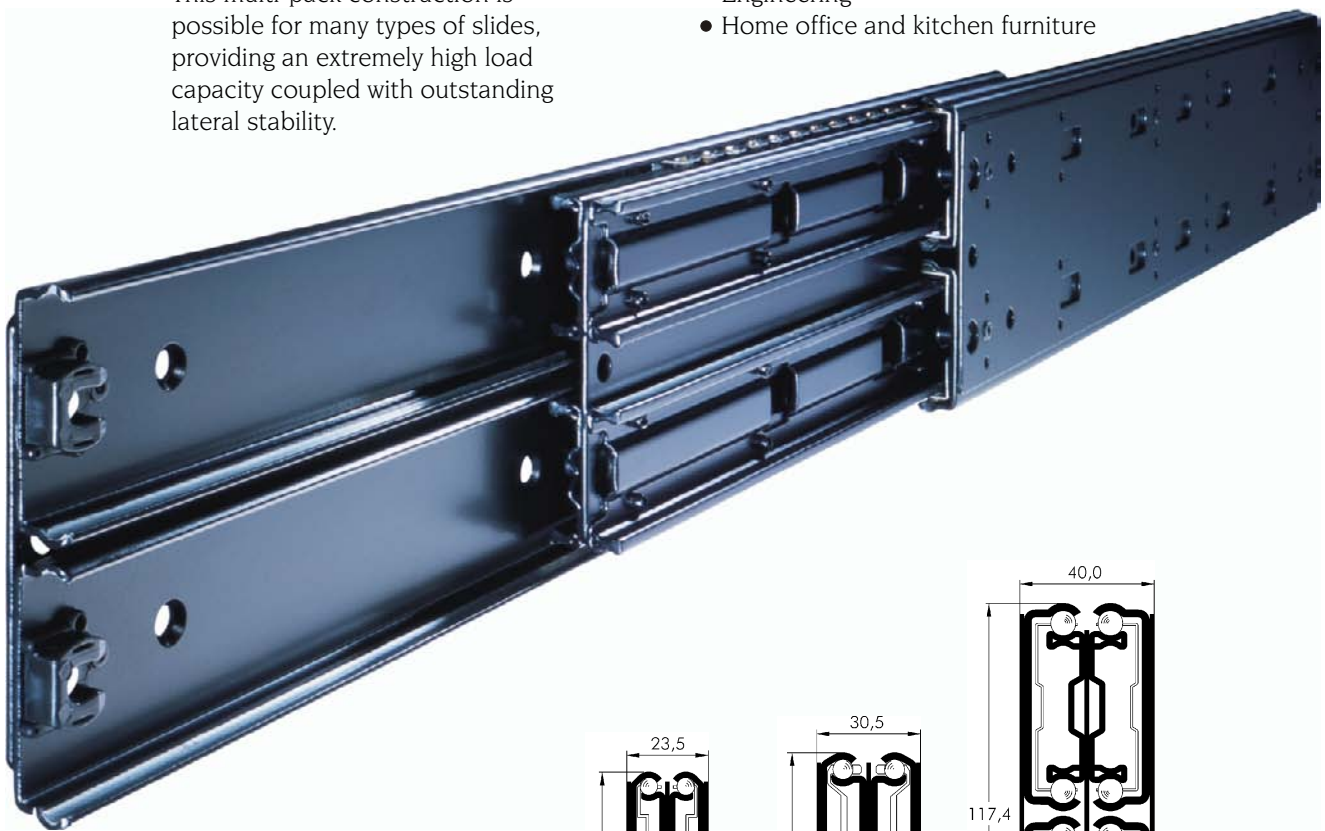


Multi-pack construction

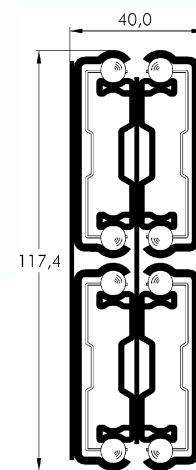
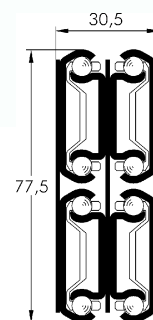
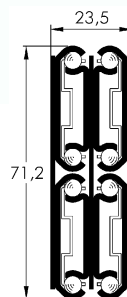
In order to increase the load rates, several telescopic slides can be mounted one above the other and connected by means of a back-plate. This multi-pack construction is possible for many types of slides, providing an extremely high load capacity coupled with outstanding lateral stability.

Application areas:

- Heavy-duty applications
- Storage and factory equipment
- Vehicle equipment
- Engineering
- Home office and kitchen furniture



Schock heavy-duty slide ITS 058 in multi-pack construction. Using existing standard slide profiles, around 10,000 customised heavy-duty slides can be supplied, with load rates of up to 3000 N.



Engineering from Schock.



Give us a call or write to us. Together you and your Schock specialist can work out the optimum solution for you.

SCHOCK
M E T A L L

Schock Metallwerk GmbH · Siemensstr. 1-3 · D-73660 Urbach · Tel. +49 7181 808-0 · Fax +49 7181 808-299
E-mail: info@schock-metall.de · Internet: www.schock-metall.de