

Electronic Lock

MULTI-USER version → **207004.MU**

Access through a 4-digit code. The code is erased every time the lock is open, being available for a new user. To use in places open to the general public (supermarkets, gyms, swimming pools...)

OPEN and CLOSE :



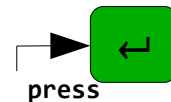
REGULAR USER version → **207004.AB**

Access through a 4-digit code. The code is fixed. To be use in facilities with subscribers (members of sports clubs, swimming pools, offices,...)

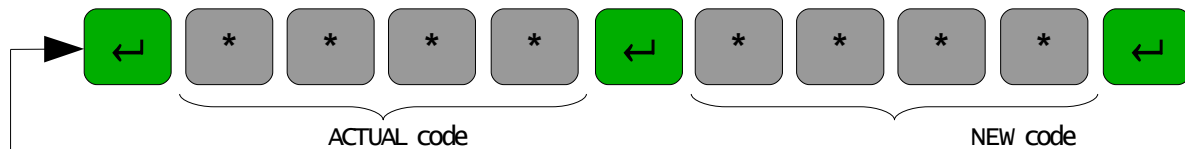
OPEN:



CLOSE:



To change the USER CODE:



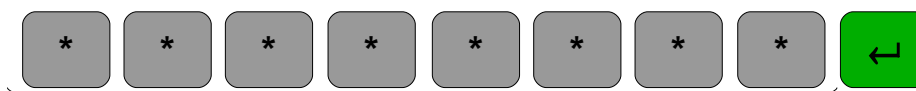
press during

3 seconds

Note: using the master code in a Regular User lock, user code reset to a 1111.

MASTER code ( MULTIUSER and REGULAR USER)

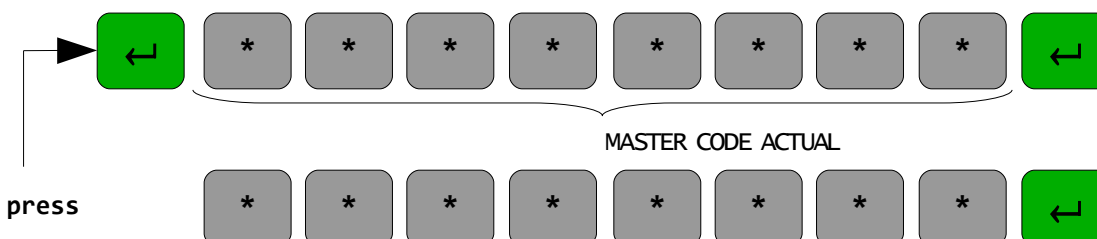
ABRIR:



MASTER code



Change the MASTER CODE:



press

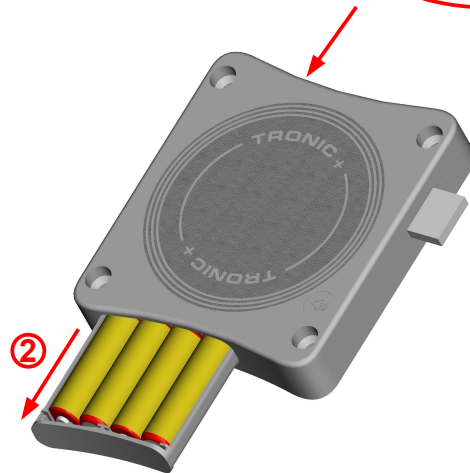
during  
3 seconds

NEW MASTER CODE

Battery replacement (MULTIUSER and REGULAR USER )

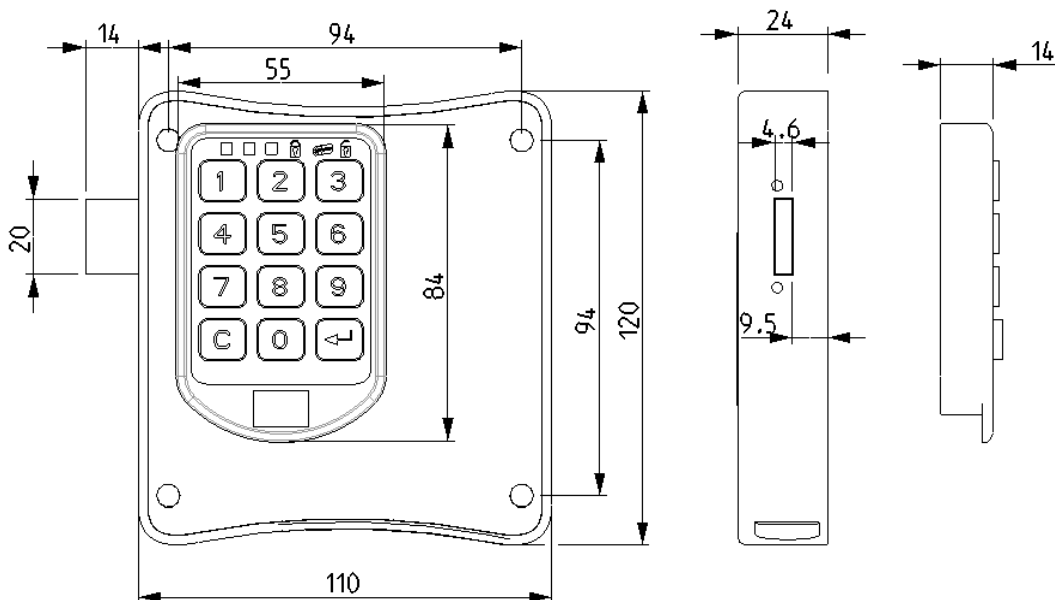


Thor T20



4 x AA(LR6)

Outside dimensions (MULTIUSER and REGULAR USER)





Nota: lock for indoor use.