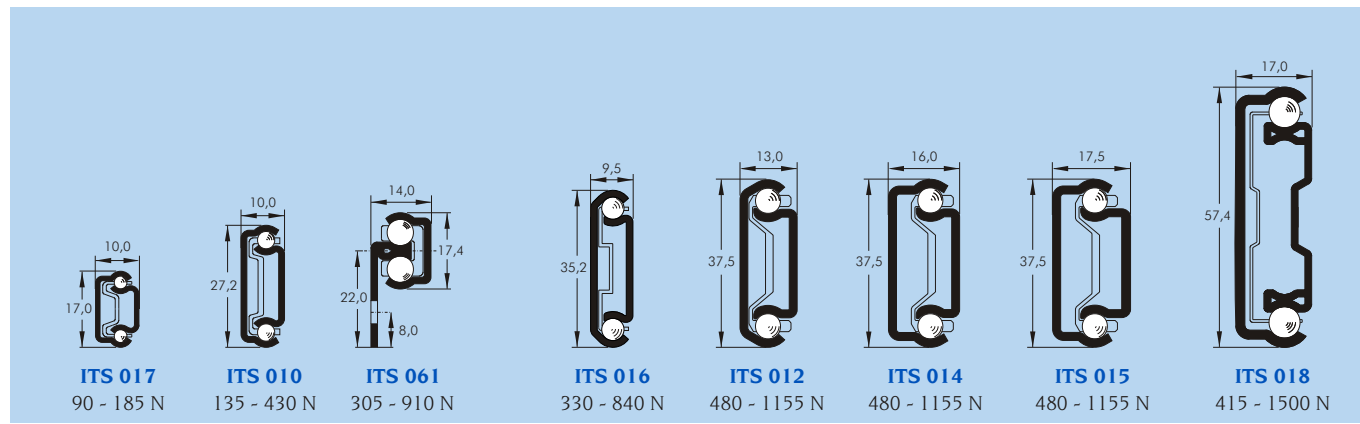
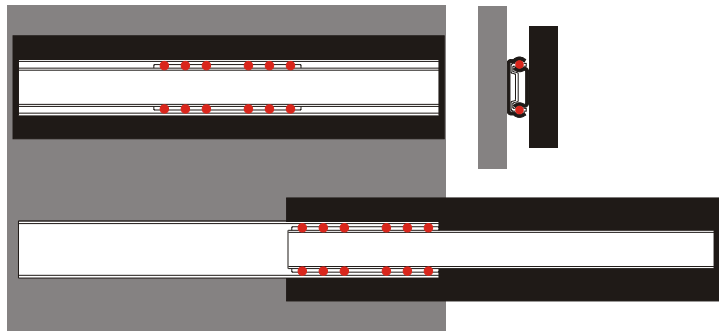


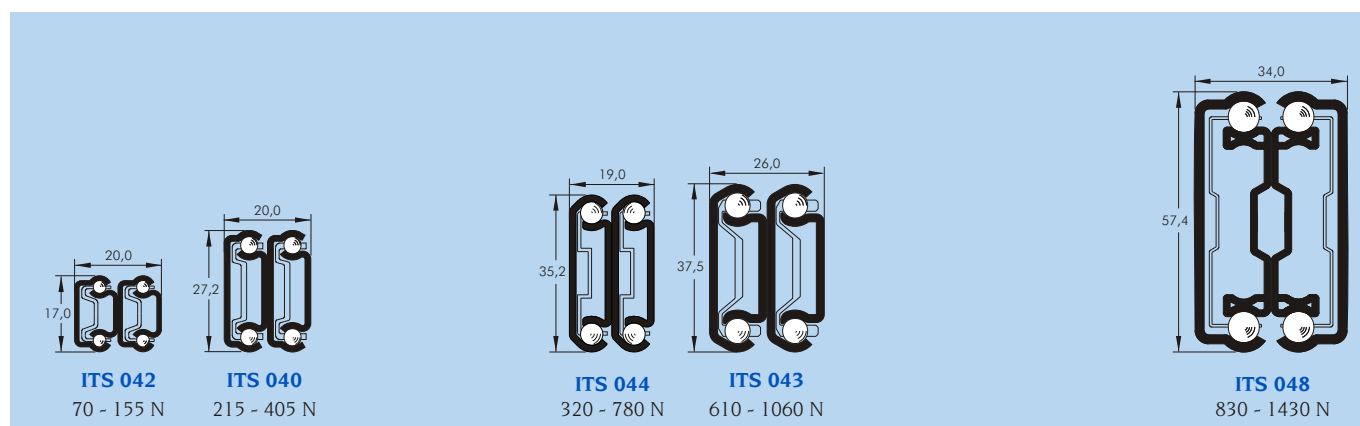
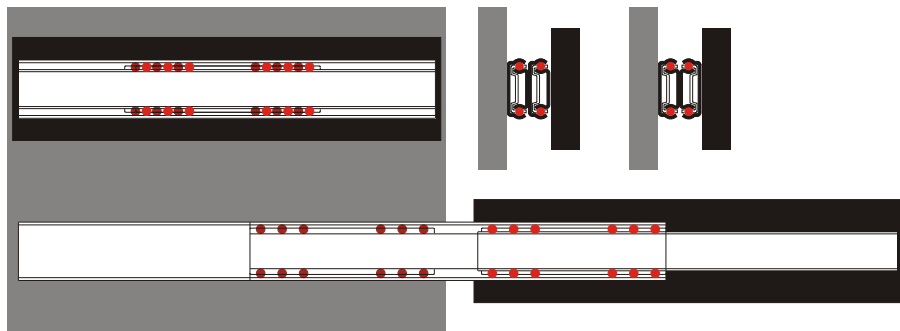
**Partial extension slide**

Travel approx. 70-80% of slide length



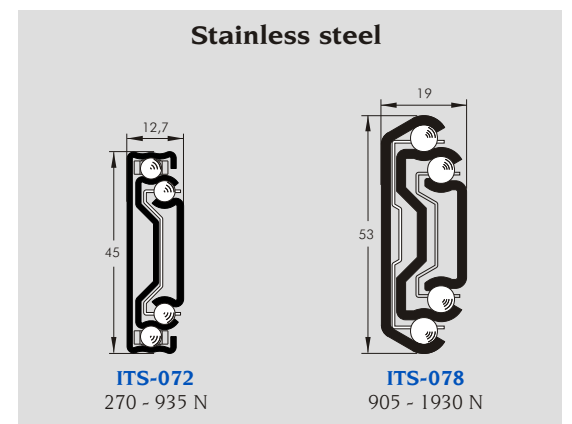
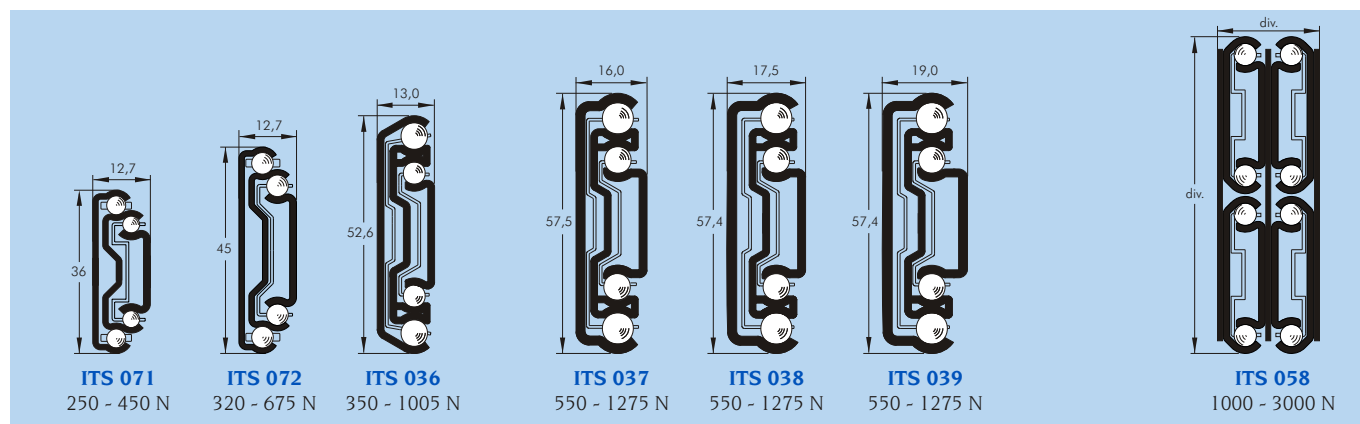
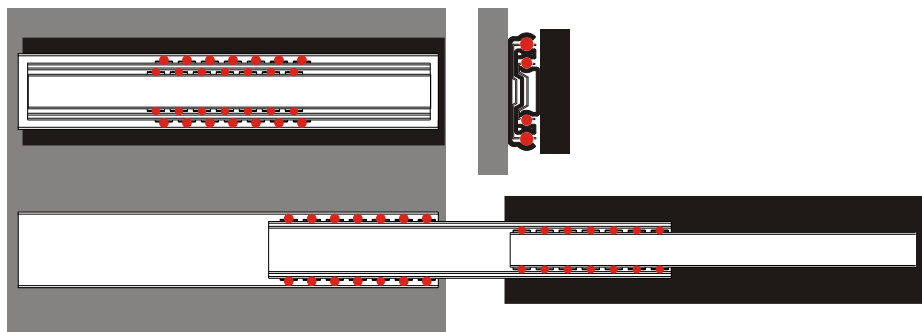
**Full extension slide "Classic"**

Travel  $\geq$  100% of slide length



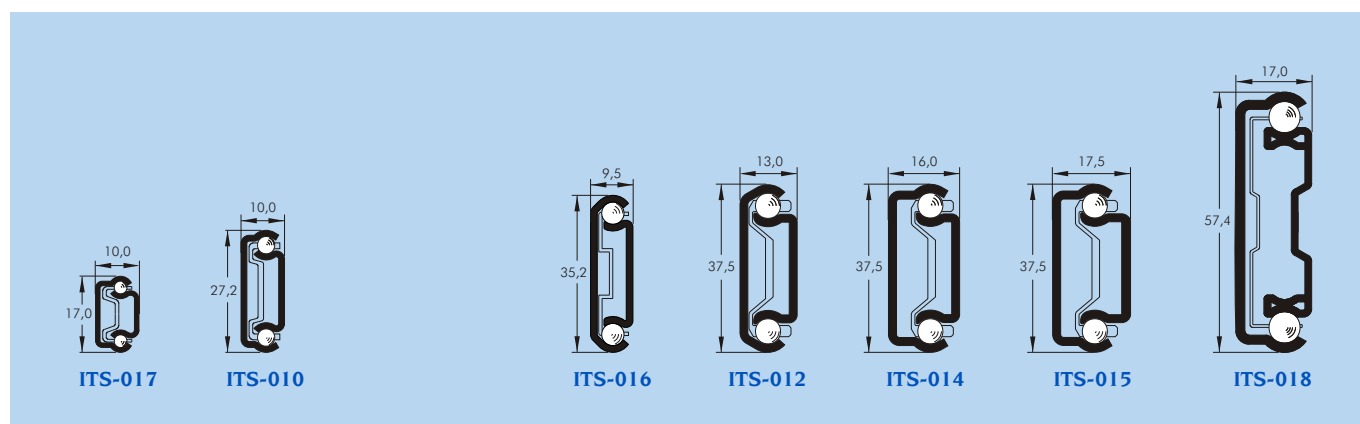
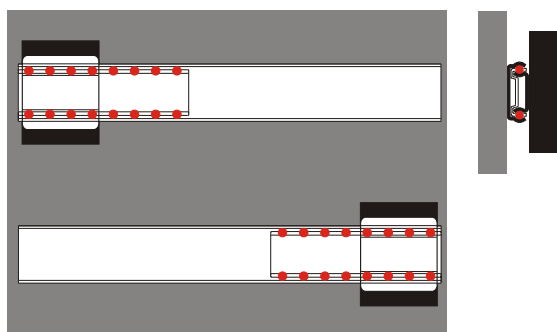
**Full extension slide "Compact"**

Travel  $\geq$  100% of slide length



**Linear slide**

Travel within length of outer slide profile



**Load rates:**

The indicated load rates in [N] are general guide values, valid for 1 pair vertically mounted slides at 100.000 respectively 10.000 cycles.

**Dimensions:**

The dimensions of the slide profiles are indicated in [mm].